

Installation plan
Washer-extractor

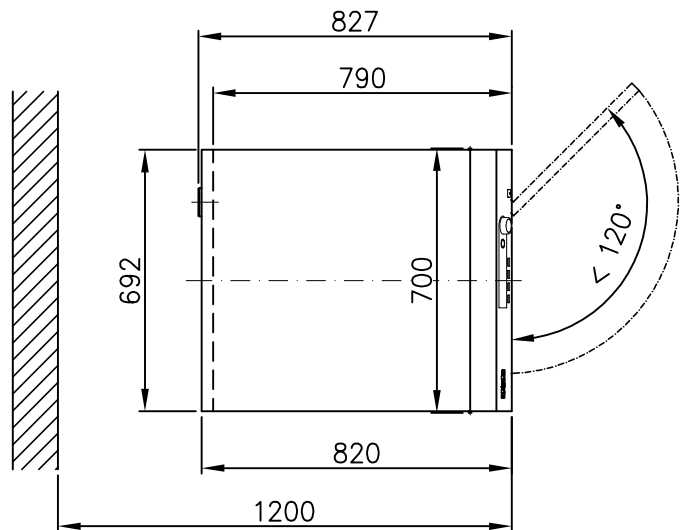
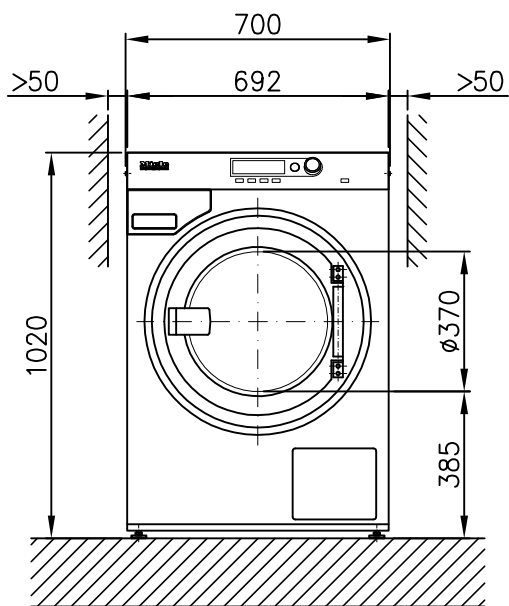
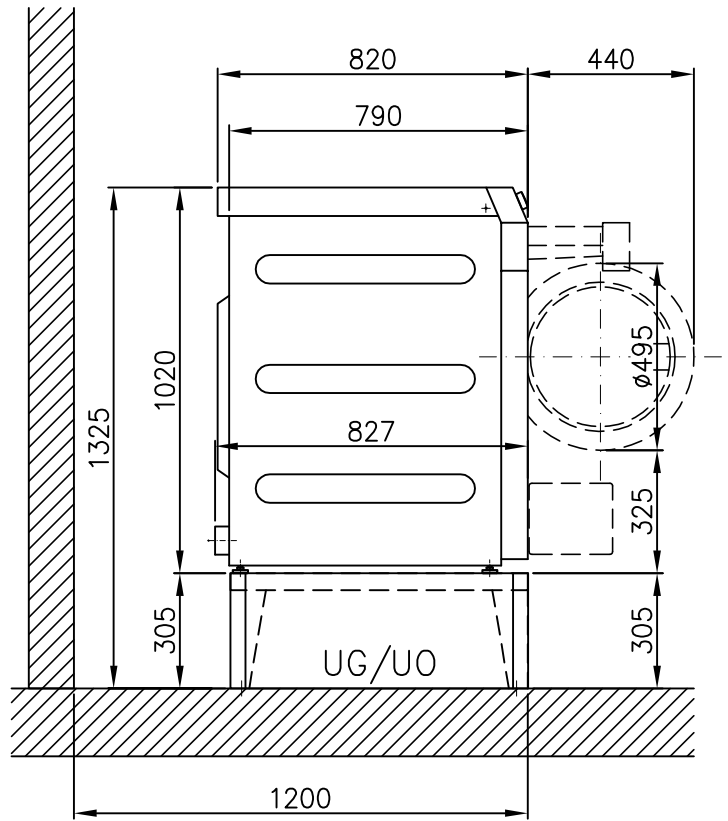
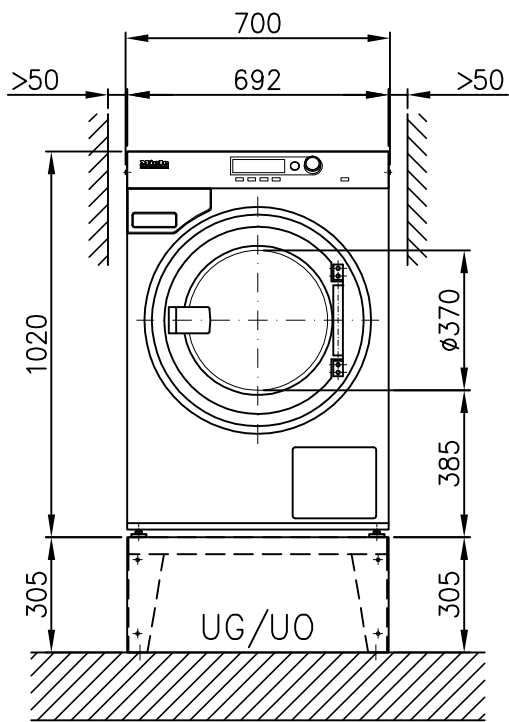


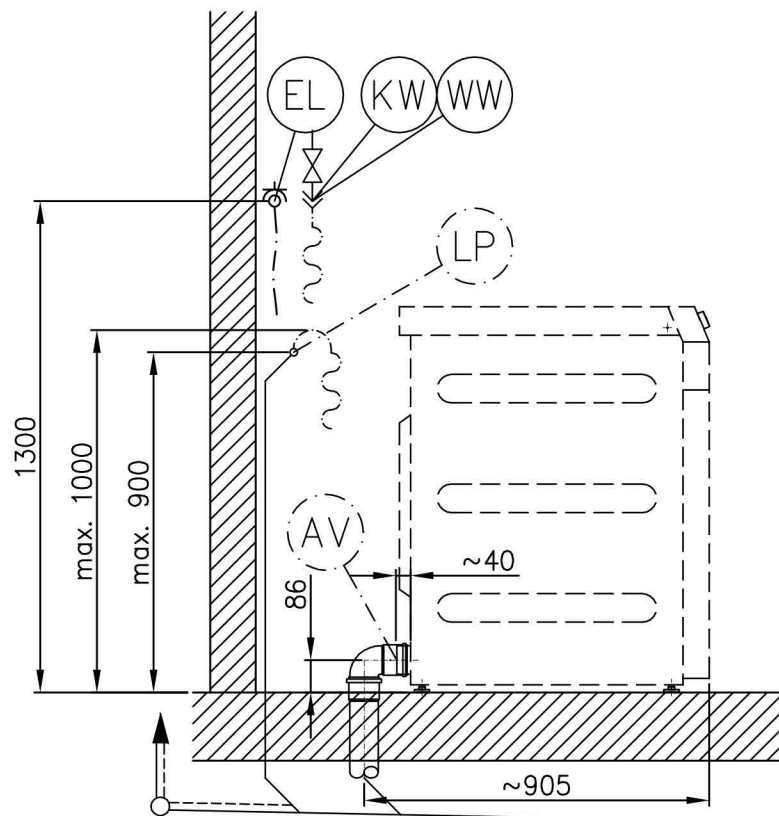
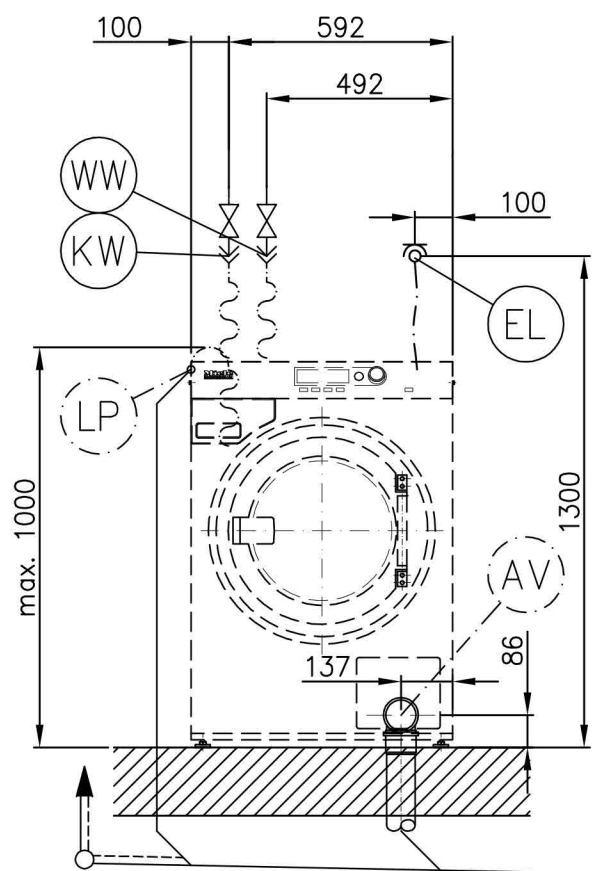
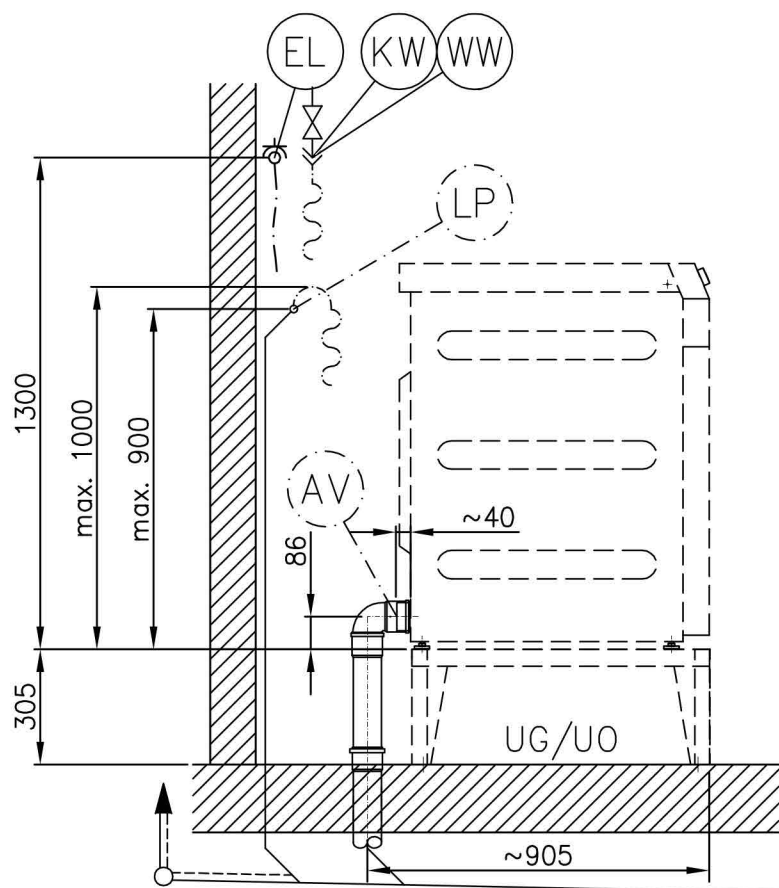
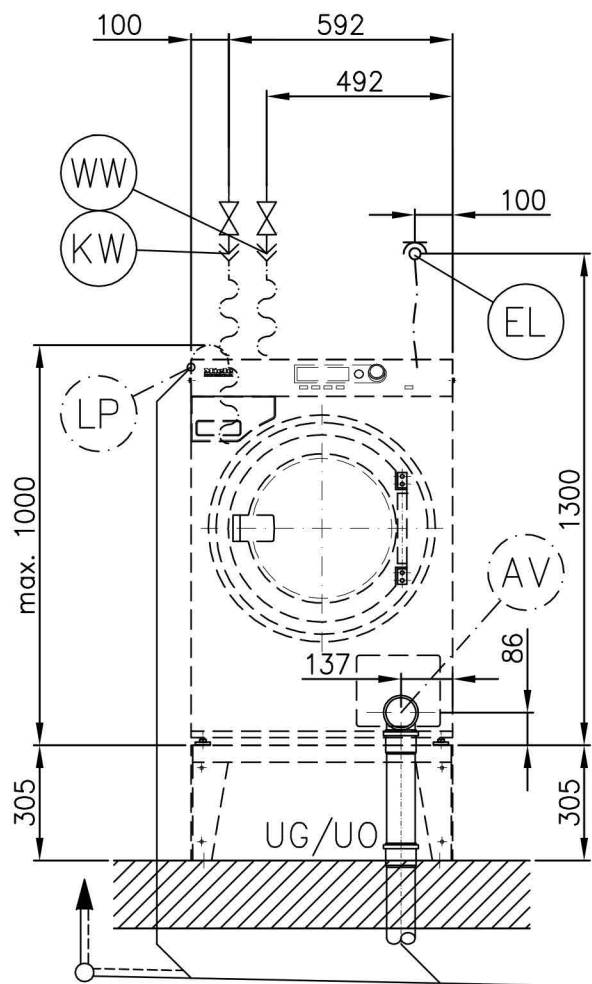
PW 5105 EL AV/LP

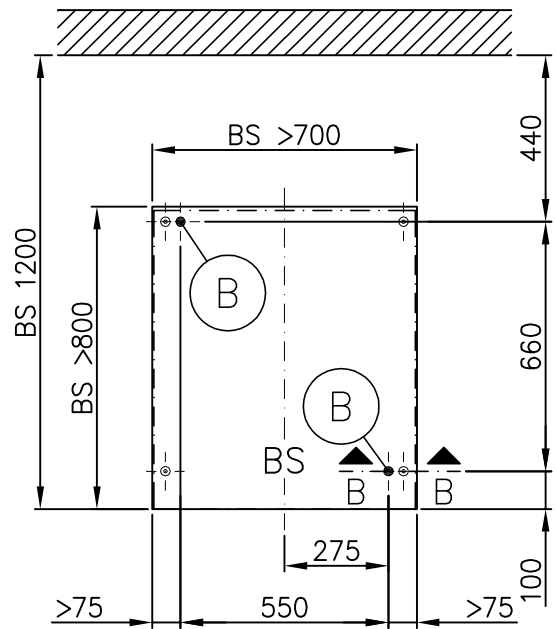
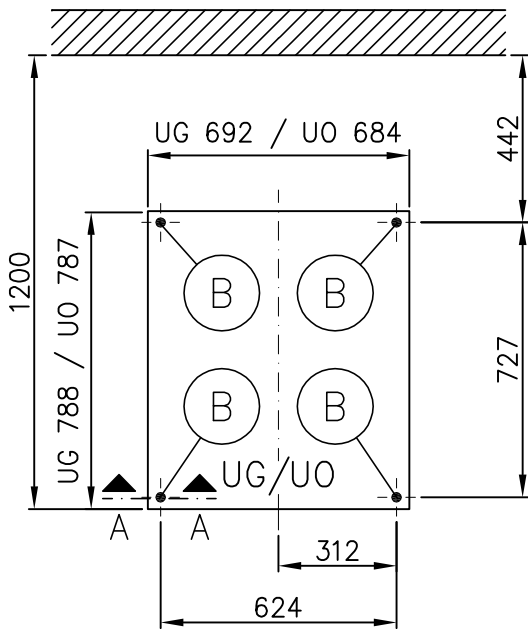
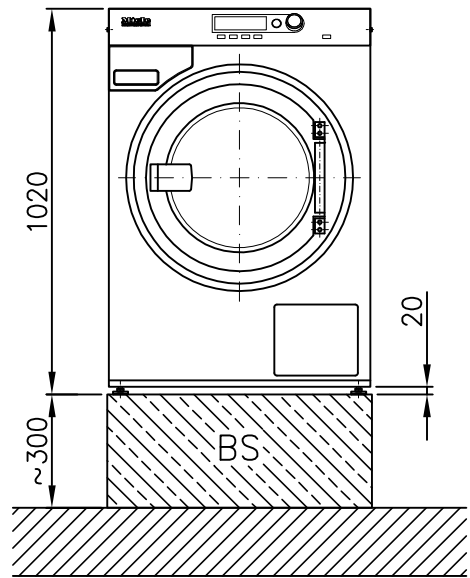
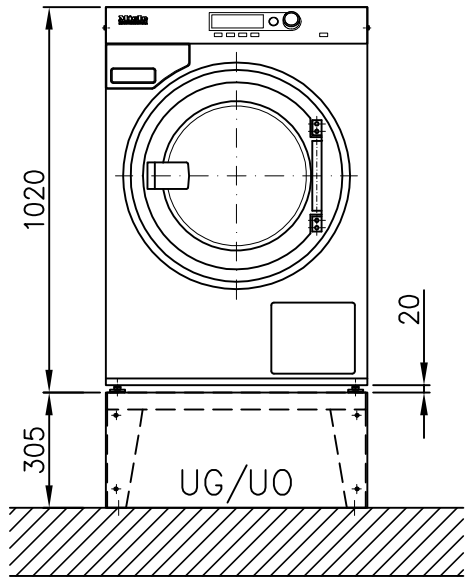
en - GB

It is essential to read the operating and installation instructions before
installing, commissioning or using the machine.
This avoids the risk of accidents or damage.

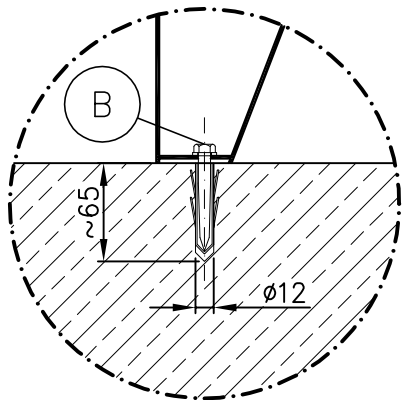
All rights reserved



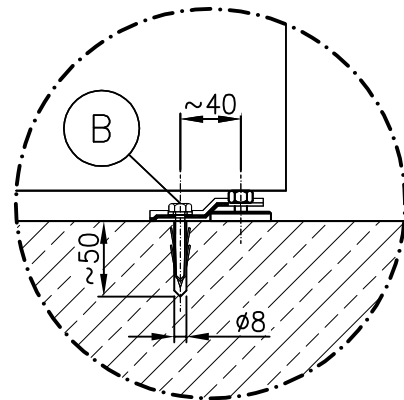


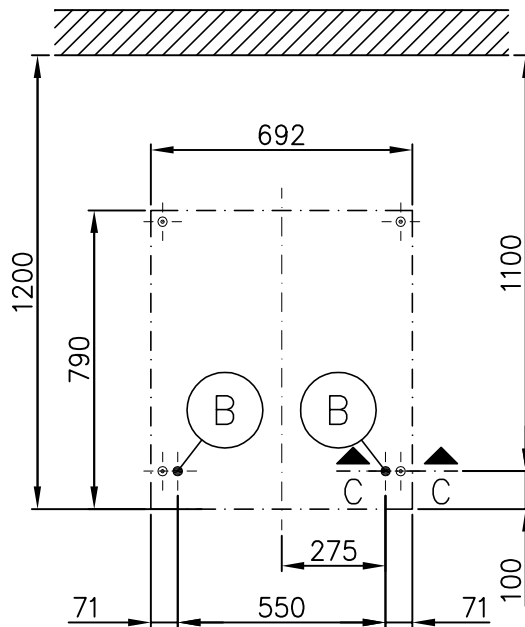
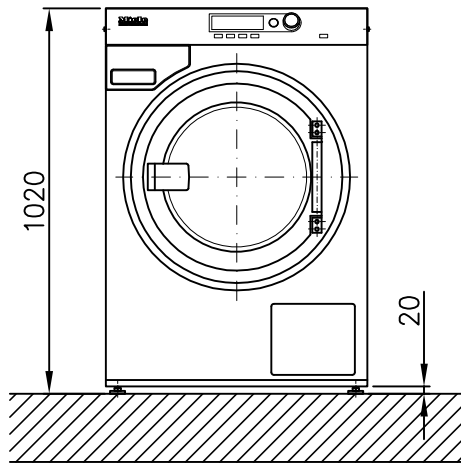


A - A

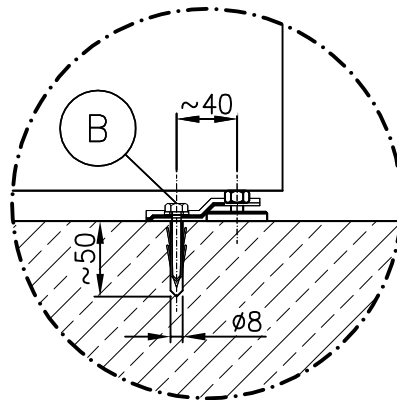


B - B





C - C



Technical datasheet

Miele
PROFESSIONAL

Washer-extractor:
Heating:

PW 5105 AV/LP
Electric (EL)

Legend:



Abbreviations in bold type:
Connection required



Abbreviations in circle with dashes:
Connection optional or required depending on model version



en - GB




Optional extras:

UM	Miele plinth	UO 5010 (UO = open plinth)	mm	305
		Height	mm	684
		Width	mm	787
		Depth	mm	787
		UG 5010 box plinth	mm	305
		Height	mm	692
		Width	mm	788
		Depth	mm	788
BS	Concrete plinth	Quality and density of concrete must comply with load. Concrete plinth must be firmly secured to floor!		
		Recommended height	mm	300
		Minimum height	mm	70
		Recommended width	mm	≥700
		Recommended depth	mm	≥800

Machine connections:

(EL)	Electrical connection	1. Standard voltage (as supplied) Frequency Rated load Fuse rating Supply lead cross-section Length of supply lead Supply lead without plug (supplied)	V Hz kW A mm ² mm	3N AC 400 50 8.2 3 × 16 5 × 1.5 2000
	Country variations:			
	(GB)	1. Standard voltage (as supplied) Frequency Rated load Fuse rating Supply lead cross-section Length of supply lead Supply lead without plug (supplied)	V Hz kW A mm ² mm	1N AC 230 50 5.5 1 × 25 3 × 2.5 2000
(N) (B)	1. Standard voltage (as supplied) Frequency Rated load Fuse rating Supply lead cross-section Length of supply lead Supply lead without plug (supplied)	V Hz kW A mm ² mm	3 AC 230 50 8.2 3 × 20 4 × 2.5 1800	

Non-standard voltages:				
	OS 440	1. Standard voltage (as supplied) Frequency Rated load Fuse rating Supply lead cross-section Length of supply lead Supply lead without plug (supplied)	V Hz kW A mm ² mm	3 AC 440 60 7.9 3 × 16 4 × 1.5 2000
		Electrical connection must comply with national regulations. Connection using multi-pole wall socket in compliance with IEC/EN 60309 and IEC/EN 60947 is recommended in order to simplify electrical tests. If machines are hard-wired, a multi-pole mains switch must be provided on site. Switches with a contact gap of more than 3 mm can be used. These include switches, fuses and contactors (IEC/EN 60947). A wall socket or mains isolator must be easily accessible after installation. Reinstallation of the supply point, changes to the equipment or checks on the protective conductor, including determination of correct fuse rating, should only be performed by a properly trained electrician.		
	Cold water (Soft water)	Min. flow pressure Max. pressure Max. throughput On-site connection thread according to DIN 44 991 Length of connection hose (supplied) 1 connection hose) Water requirements (average for 60°C ≈programme) Standard connection (hot water fill) Additional requirements if hot water supply is not available. If connected to grey water supply (optional), subtract from cold water volume.	kPa kPa l/min Inch mm l/h	100 1000 11 ¾" external thread 1550 not yet available
	Warm water (Soft water)	Max. temperature Min. flow pressure Max. pressure Max. throughput On-site connection thread according to DIN 44 991 Length of connection hose (supplied) 1 connection hose) Water requirements (average for 60°C ≈programme) Machine can be connected to a hot water supply line with a temperature of 70°C to max. 85°C. This requires a separate inlet hose. This additional inlet hose is available from Miele Spares. The machine must also be reprogrammed by Miele Service or an authorised agent. If hot water is not available, connect hot water hose to cold water valve!	°C kPa kPa l/min Inch mm l/h	60 100 1000 11 ¾" external thread 1550 not yet available

	Waste water Model versions with dump valve	Max. temperature Machine-side drain connection (ext. diameter) On-site drain (int. diameter) Max. transient throughput Vented drainage required. If ventilation is insufficient, fit Miele kit, Mat. no. 05238090. Drain manifolds serving several machines must be of sufficient cross-section.	°C mm mm l/min	90 75 [DN 70] 75 [DN 70] 62
	Waste water Model versions with drain pump	Max. temperature Drain hose(int. diameter) On-site hose connector for drain hose (int. diameter x length) Max. transient throughput Drain pump head height (from floor level) Vented drainage required. If ventilation is insufficient, fit Miele kit, Mat. no. 05238090. Drain manifolds serving several machines must be of sufficient cross-section.	°C mm mm l/min mm	90 22 [DN 22] 22 × 30 26 1000
	Fittings (supplied)	Miele plinth UG/UO 5010 4 × metal angled brackets (to secure machine to plinth) 4 × screws DIN 571 (Ø × length) 4 × rawl plugs (Ø × length) Machine must be bolted to the floor! Fixing materials for a floating screed floor are to be provided on site.	mm mm	8 × 65 12 × 60
		On concrete platform 2 × clamps 2 × screws DIN 571 (Ø × length) 2 × rawl plugs (Ø × length) Machine must be bolted to the floor! Fixing materials for a floating screed floor are to be provided on site.	mm mm	6 × 50 8 × 40
	Machine data	Unit width Machine depth Unit height Casing width Casing depth Minimum width of delivery access to installation site Minimum rear wall gap (measured to front of machine) Wall gap (to front of machine) Minimum gap ensures sufficient space for maintenance and servicing. Net weight Dynamic floor load, max. Static floor load, max. Dynamic load, max. Drum frequency, max. Average heat dissipation (dependent on ambient room temperature and programme selected) Sound pressure (re 20 mPA), workplace-related (at distance of 1 m and height of 1.6 m)	mm mm mm mm mm mm mm mm kg N N N Hz W dB (A)	700 827 1020 792 790 720 1200 1000 148 2750 1960 790 18 not yet available <70
Installation should only be carried out by authorised fitters in accordance with valid regulations! Observe installation instructions when installing machine! All rights reserved! Measurements in mm.				