

Installation plan

## Tumble dryers

Installatieschema

## Droogautomaat



PT 8503 EL

PT 8505 EL

PT 8507 EL

nl - NL  
en - GB

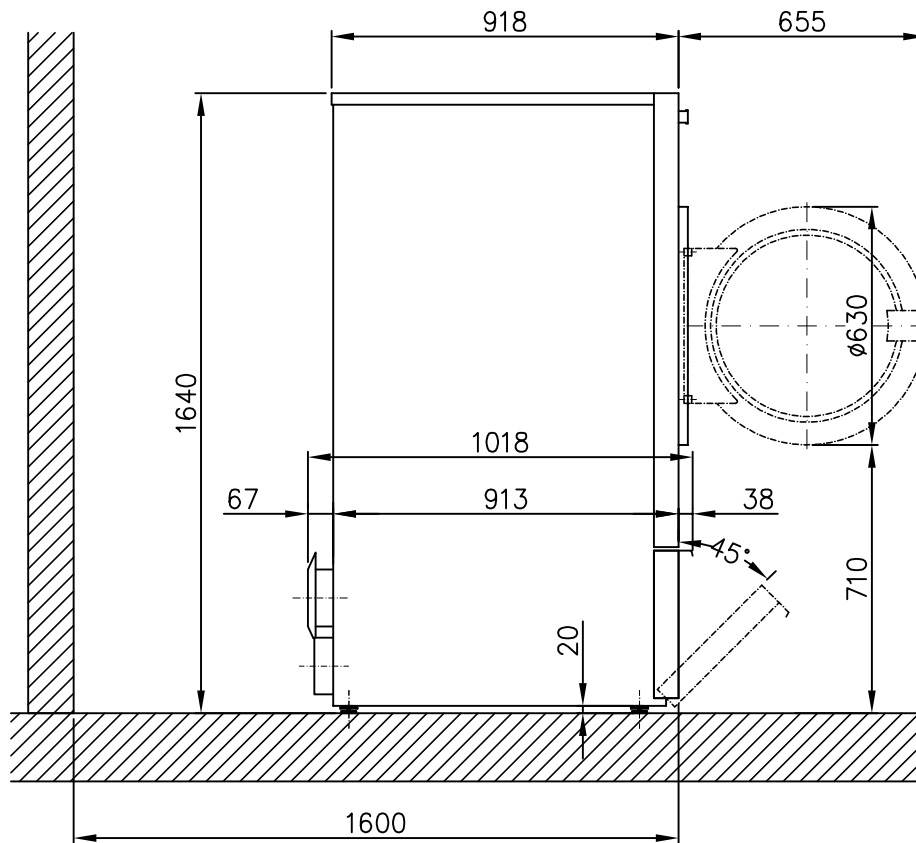
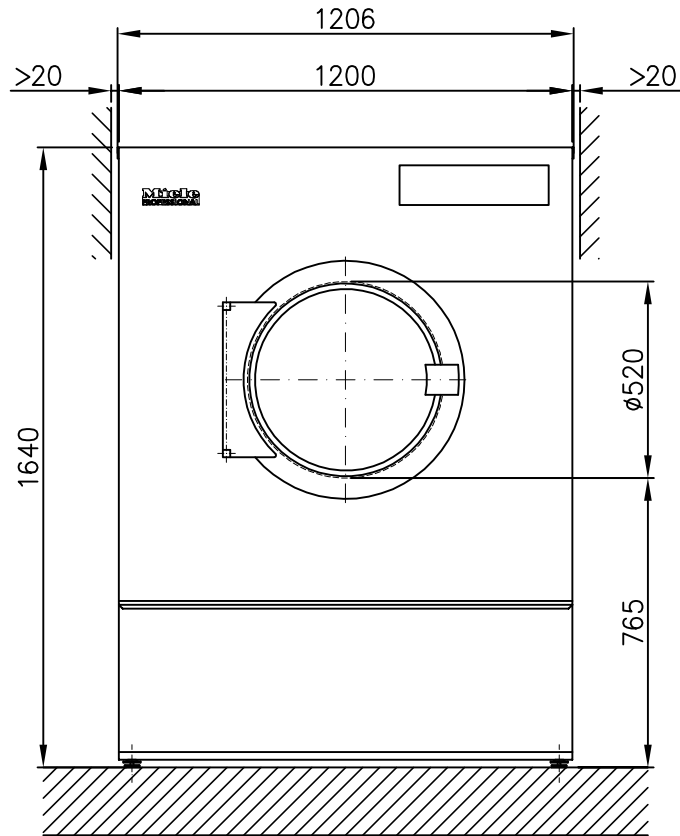
---

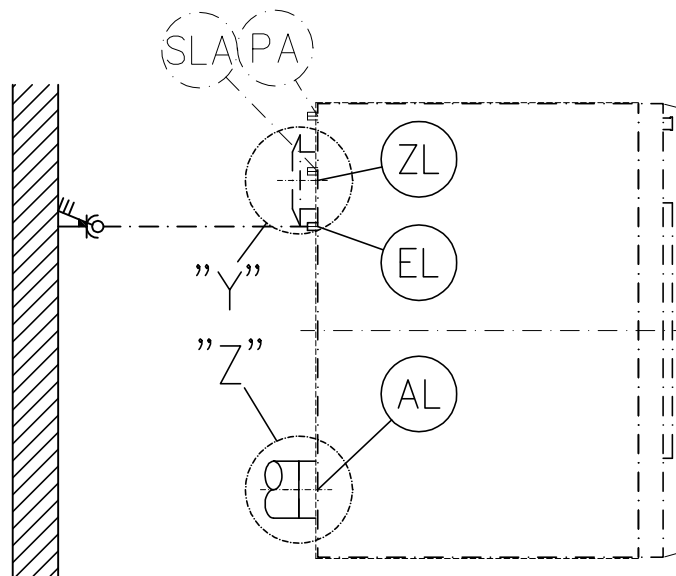
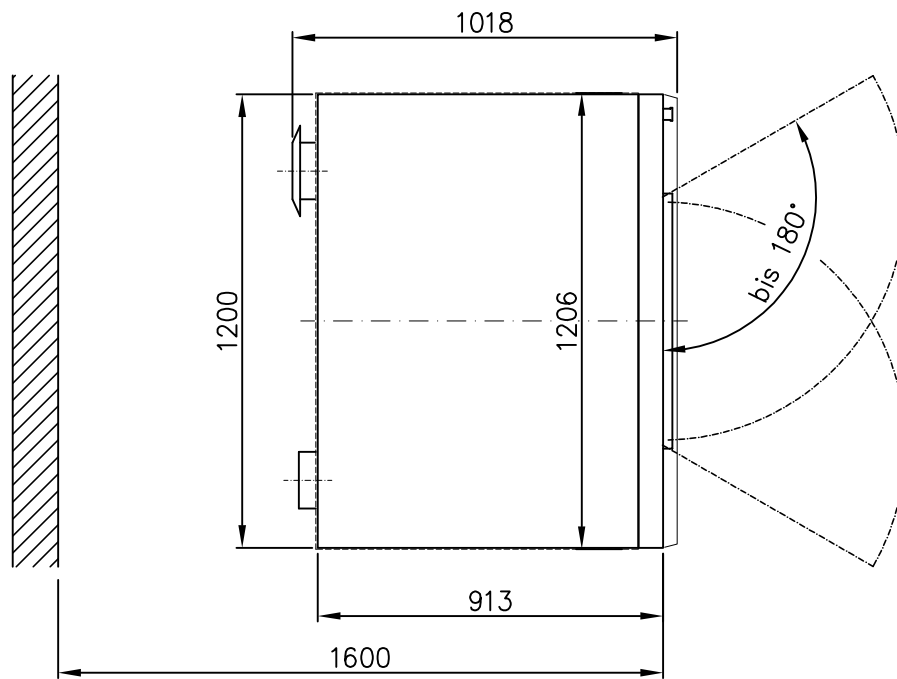
Lees **beslist** de gebruiks- en montagehandleiding voordat u uw  
apparaat plaatst, installeert en in gebruik neemt.  
Dat is veiliger voor uzelf en u voorkomt schade aan uw apparaat.

Technische wijzigingen voorbehouden

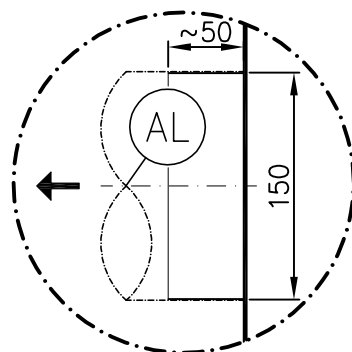
It is **essential** to read the operating and installation instructions before  
installing, commissioning or using the machine.  
This avoids the risk of accidents or damage.

All rights reserved

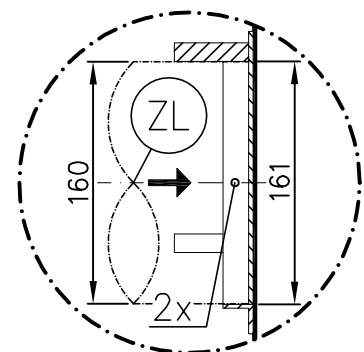


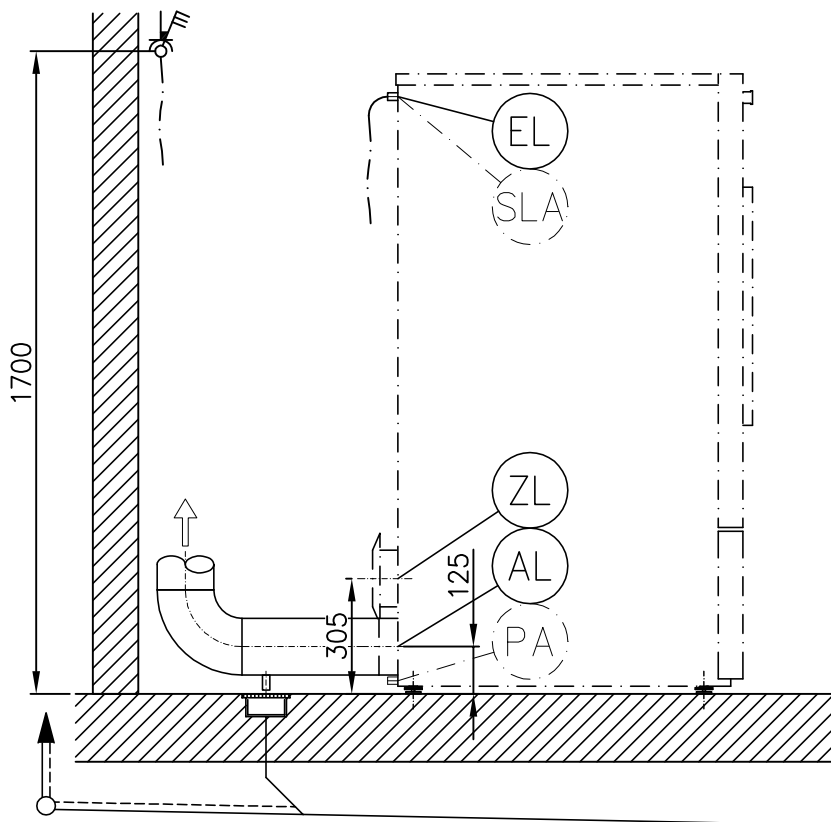
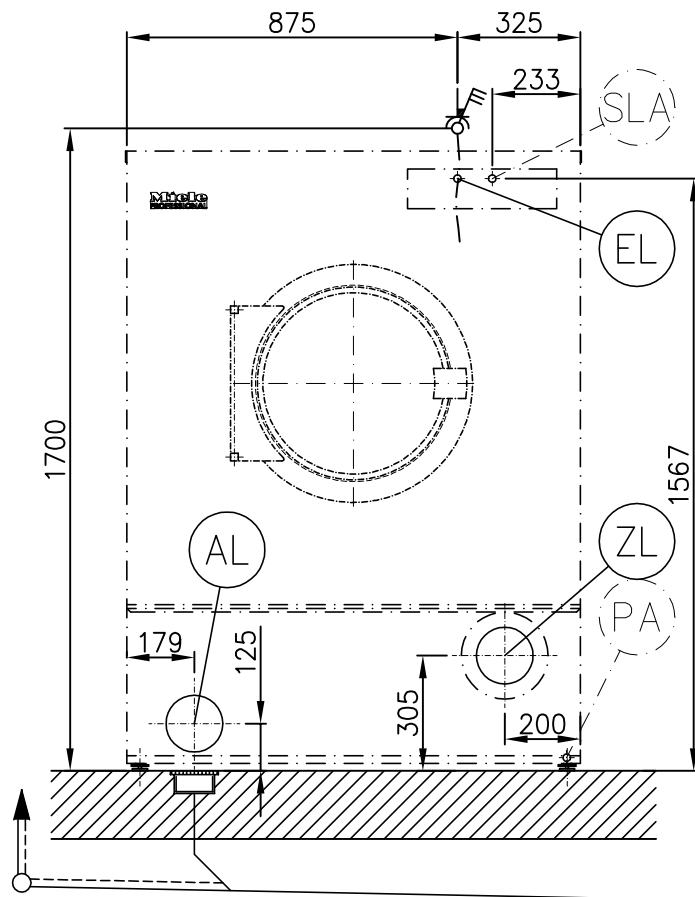


"Z"



"Y"

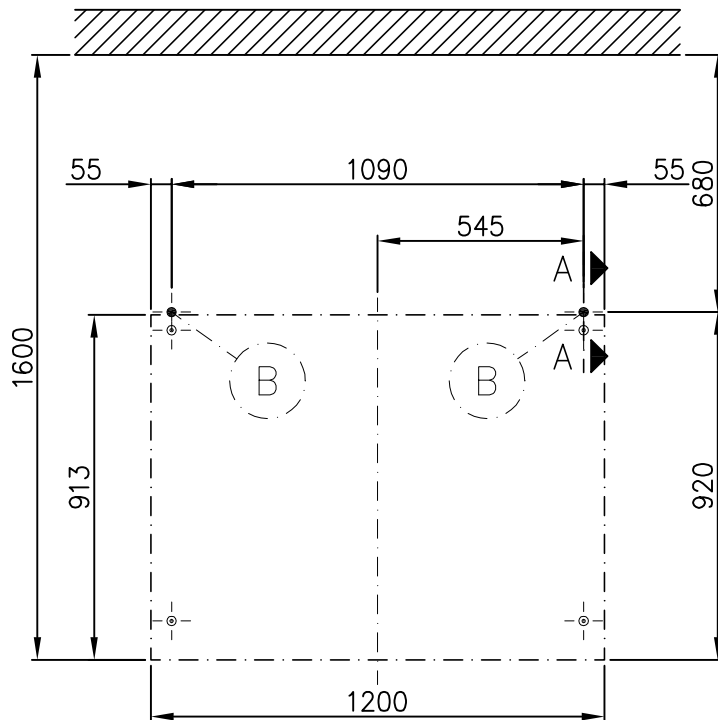
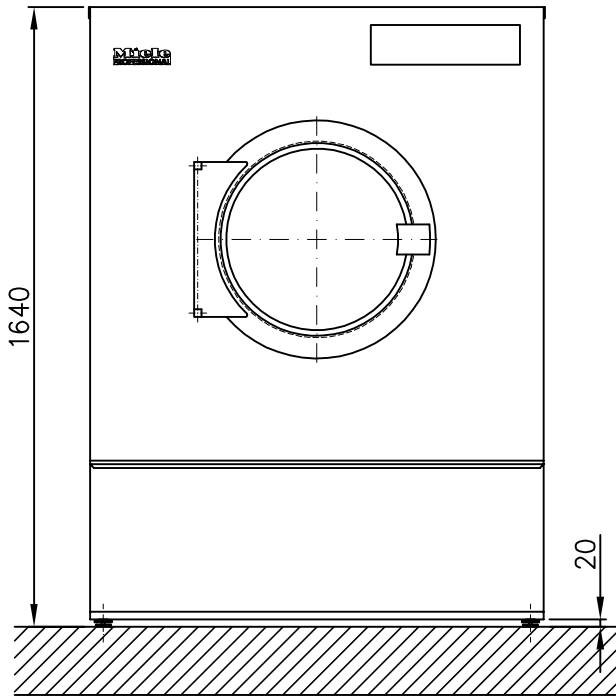




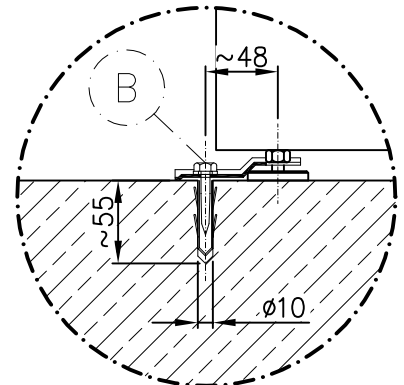
**Miele**  
PROFESSIONAL

Installationsplan / Installation plan  
Trockenautomat / Tumble dryer  
PT 8503/8505/8507 EL

|      |            |
|------|------------|
| Date | 14.12.2010 |
| Page | 5          |
| Name | DEBOHD     |



A - A



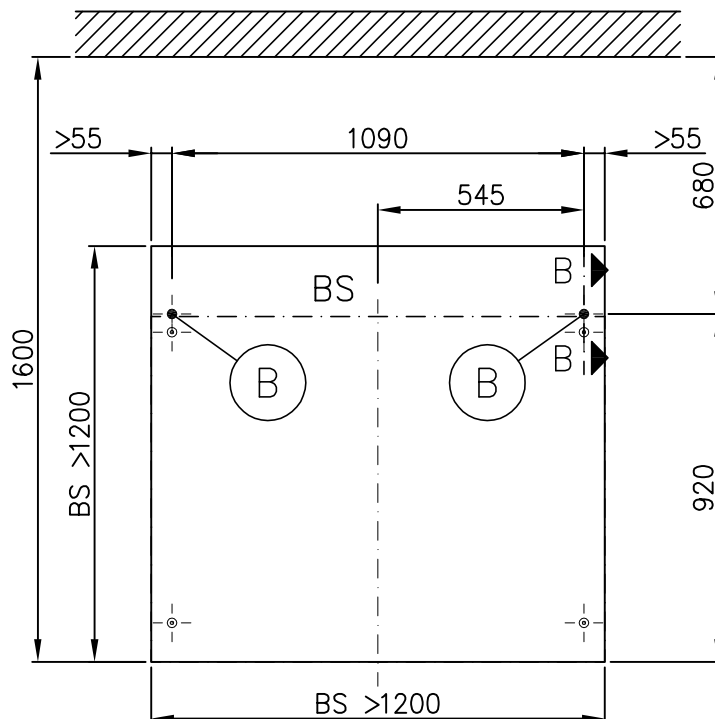
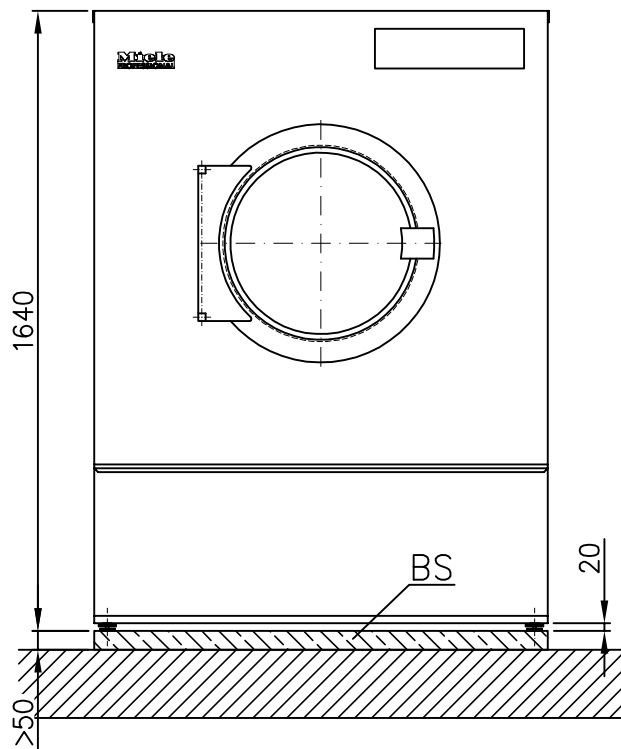
**Miele**  
PROFESSIONAL

Installationsplan / Installation plan  
Trockenautomat / Tumble dryer  
PT 8503/8505/8507 EL

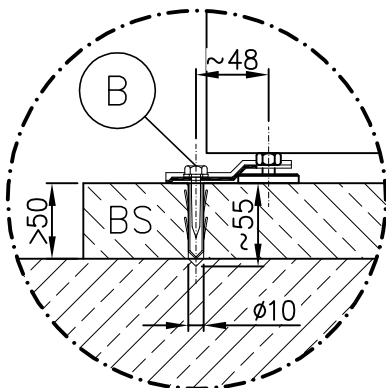
Date 14.12.2010

Page 6

Name DEBOHD



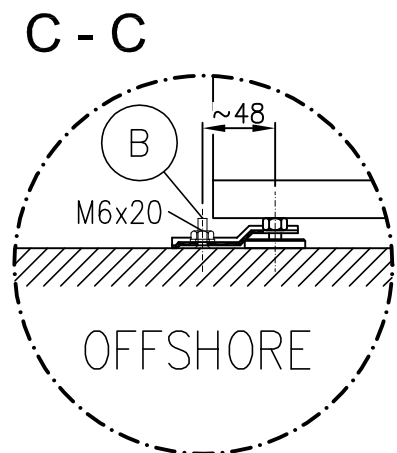
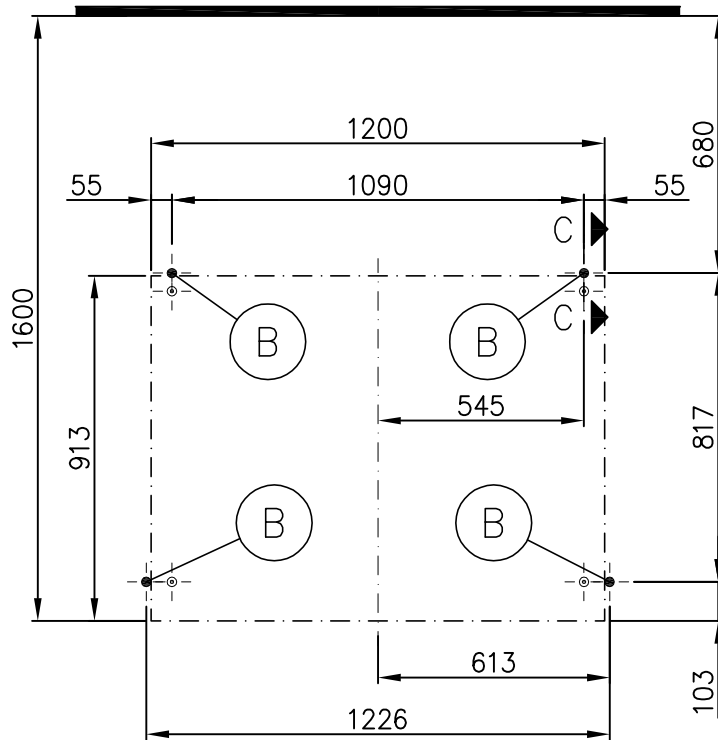
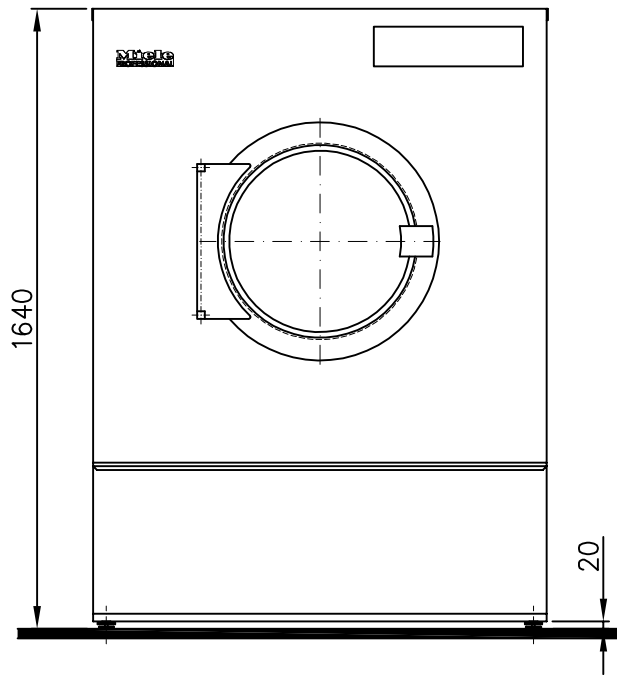
**B - B**



**Miele**  
PROFESSIONAL

Installationsplan / Installation plan  
Trockenautomat / Tumble dryer  
PT 8503/8505/8507 EL

|      |            |
|------|------------|
| Date | 14.12.2010 |
| Page | 7          |
| Name | DEBOHD     |





# Technical datasheet



Tumble dryer:  
Heating:

PT 8503/8505/8507  
Electric (EL)

Legend:



Abbreviations in bold type:  
Connection required



Abbreviations in circle with dashes:  
Connection optional or required depending on model version

en - GB

## Optional extras:

|    |                 |                                                                                                            |    |      |
|----|-----------------|------------------------------------------------------------------------------------------------------------|----|------|
| BS | Concrete plinth | Quality and density of concrete must comply with load.<br>Concrete plinth must be firmly secured to floor! |    |      |
|    |                 | Recommended height                                                                                         | mm | 100  |
|    |                 | Minimum height                                                                                             | mm | 50   |
|    |                 | Width min.                                                                                                 | mm | 1200 |
|    |                 | Width:min.                                                                                                 | mm | 1100 |

## Machine connections:

|    |                        |                                                                                                                                                                                                                                                                                                                                                                             |                                       |                                                                  |
|----|------------------------|-----------------------------------------------------------------------------------------------------------------------------------------------------------------------------------------------------------------------------------------------------------------------------------------------------------------------------------------------------------------------------|---------------------------------------|------------------------------------------------------------------|
| EL | Electrical connection  | 1. Standard voltage (as supplied)<br>Frequency<br>Rated load<br>Fuse rating<br>Connection cable, min. cross-section<br>Cable screw connector<br>Connection cable (to be ordered separately)                                                                                                                                                                                 | V<br>Hz<br>kW<br>A<br>mm <sup>2</sup> | 3N AC 380 - 415<br>50<br>25.9 – 30.9<br>3 × 50<br>5 × 10<br>M 40 |
|    |                        | 2. Standard voltage (as supplied)<br>Frequency<br>Rated load<br>Fuse rating<br>Connection cable, min. cross-section<br>Cable screw connector<br>Connection cable (to be ordered separately)                                                                                                                                                                                 | V<br>Hz<br>kW<br>A<br>mm <sup>2</sup> | 3 AC 220 - 240<br>50<br>26.0 – 30.7<br>3 × 80<br>4 × 25<br>M 50  |
|    | Non-standard voltages: |                                                                                                                                                                                                                                                                                                                                                                             |                                       |                                                                  |
|    | OS 440                 | Standard voltage (as supplied)<br>Frequency<br>Rated load<br>Fuse rating<br>Connection cable, min. cross-section<br>Cable screw connector<br>Connection cable (to be ordered separately)                                                                                                                                                                                    | V<br>Hz<br>kW<br>A<br>mm <sup>2</sup> | 3 AC 440<br>60<br>28.3<br>3 × 50<br>4 × 10<br>M 40               |
|    |                        | Electrical connection must comply with national regulations.<br>Connection using multi-pole wall socket in compliance with IEC/EN 60309 and IEC/EN 60947 is recommended in order to simplify electrical tests.<br>If machines are hard-wired, a multi-pole mains switch must be provided on site.<br>A wall socket or mains isolator must be accessible after installation. |                                       |                                                                  |

|     |                             |                                                                                                                                                                                                                                                                                                                                                                                                                                                                                                                                                                                                                             |                                                                    |                                                |
|-----|-----------------------------|-----------------------------------------------------------------------------------------------------------------------------------------------------------------------------------------------------------------------------------------------------------------------------------------------------------------------------------------------------------------------------------------------------------------------------------------------------------------------------------------------------------------------------------------------------------------------------------------------------------------------------|--------------------------------------------------------------------|------------------------------------------------|
| PA  | Equipotential bonding       | <p>Connection with male thread with washers and nut.</p> <p>Accessories not included (except with offshore version).</p> <p>If necessary, equipotential bonding with good galvanic contact must be provided in accordance with all appropriate national and local regulations.</p>                                                                                                                                                                                                                                                                                                                                          | mm<br>M                                                            | 10 × 35<br>10                                  |
| SLA | Peak load energy management | <p>Control contact voltage</p> <p>Connection cable, min. cross-section</p> <p>Connection cable (to be ordered separately)</p> <p>Connection via a flexible supply lead with a separate isolator is recommended. The isolator should be visible and easily accessible after machine installation.</p>                                                                                                                                                                                                                                                                                                                        | V<br>mm <sup>2</sup>                                               | AC 230<br>5 × 1.5                              |
| AL  | Vented                      | <p>Max. nominal air flow in vented mode (PT 8507 only)</p> <p>Nominal air flow (PT 8503/8505 only)</p> <p>Max. permissible pressure loss</p> <p>Connection on machine side (ext. diameter)</p> <p>Connection pipe provided on site (int. diameter)</p> <p>Max. temperature</p> <p>As relative humidity inside the vent ducting can be as high as 100%, suitable measures must be taken to prevent a backflow of condensate into the machine.</p>                                                                                                                                                                            | m <sup>3</sup> /h<br>m <sup>3</sup> /h<br>Pa<br><br>mm<br>mm<br>°C | 860<br>790<br>300<br><br>150<br>150<br>80      |
| ZL  | Air intake                  | <p>Standard connection: Air intake from installation site</p> <p>Unobstructed air intake into room recommended (corresponding to 3 times the vent cross-section of machine)</p> <p>A sufficient supply of fresh air should be ensured to replace the air extracted.</p> <p>Alternative connection: Ducted air intake (from outside building)</p> <p>Connector on machine (int. diameter)</p> <p>Connection pipe provided on site (ext. diameter)</p> <p>Lid removal exposes live components! For safety reasons, the pipe connected for central air intake should be at least 900 mm long and secured using two screws.</p> | cm <sup>2</sup><br><br><br>mm<br>mm                                | 531<br><br><br>161<br>160                      |
| B   | Fittings (supplied)         | <p>Without plinth</p> <p>2 × clamps</p> <p>2 × screws DIN 571 (Ø × length)</p> <p>2 × rawl plugs (Ø × length)</p> <p>The machine should be bolted to the floor.</p> <p>Fixing materials for a floating screed floor are to be provided on site.</p> <p>On concrete platform</p> <p>2 × clamps</p> <p>2 × screws DIN 571 (Ø × length)</p> <p>2 × rawl plugs (Ø × length)</p> <p>Machine must be bolted to the floor!</p> <p>Fixing materials for a floating screed floor are to be provided on site.</p>                                                                                                                     | mm<br>mm<br><br><br>mm<br>mm                                       | 6 × 40<br>10 × 50<br><br><br>6 × 40<br>10 × 50 |

|              |                                                                                                                                                                                                            |        |      |  |
|--------------|------------------------------------------------------------------------------------------------------------------------------------------------------------------------------------------------------------|--------|------|--|
| Machine data | Unit width                                                                                                                                                                                                 | mm     | 1206 |  |
|              | Machine depth                                                                                                                                                                                              | mm     | 1018 |  |
|              | Unit height                                                                                                                                                                                                | mm     | 1640 |  |
|              | Casing width                                                                                                                                                                                               | mm     | 1200 |  |
|              | Casing depth                                                                                                                                                                                               | mm     | 913  |  |
|              | Minimum width of delivery access to installation site                                                                                                                                                      | mm     | 1030 |  |
|              | Recommended rear wall gap (measured to front of machine)                                                                                                                                                   | mm     | 1600 |  |
|              | Min. wall gap (to rear edge of lid)                                                                                                                                                                        | mm     | 500  |  |
|              | Net weight                                                                                                                                                                                                 | kg     | 238  |  |
|              | Dynamic floor load, max.                                                                                                                                                                                   | N      | 2703 |  |
|              | Average heat dissipation<br>(dependent on ambient room temperature and programme selected)                                                                                                                 | W      | 810  |  |
|              | A Noise level                                                                                                                                                                                              | dB (A) | 72.2 |  |
|              | A Sound pressure level<br>(measured at a distance of 1 m from the machine and at a height of 1.6 m)                                                                                                        | dB (A) | 60   |  |
|              | Installation should only be carried out by authorised fitters in accordance with valid regulations!<br>Observe installation instructions when installing machine! All rights reserved! Measurements in mm. |        |      |  |

## Technische gegevens

**Miele**  
PROFESSIONAL

Droogautomaat:  
Verwarmingssoort:

PT 8503/8505/8507  
Elektrisch (EL)

Legenda:



Geheel omcirkelde afkortingen betekenen:  
aansluiting vereist



Niet geheel omcirkelde afkortingen betekenen:  
optioneel of afhankelijk van het apparaat is aansluiting vereist

nl - NL

### Opties/toebehoren:

|    |                 |                                                                                                                                                                     |    |       |
|----|-----------------|---------------------------------------------------------------------------------------------------------------------------------------------------------------------|----|-------|
| BS | Betonnen sokkel | De betonsoort en de stevigheid moeten geschikt zijn voor de belasting die de automaat uitoefent. Een aanwezige betonnen sokkel moet goed aan de ondergrond hechten! |    |       |
|    |                 | Hoogte aanbevolen                                                                                                                                                   | mm | 100   |
|    |                 | Hoogte minimaal                                                                                                                                                     | mm | 50    |
|    |                 | Breedte minimaal                                                                                                                                                    | mm | 1.200 |
|    |                 | Diepte minimaal                                                                                                                                                     | mm | 1.100 |

### Aansluitingen:

|        |                                                                                                                                                                                                                                                                                                                                                                                                                                                                                                                                                                                                                           |                                                                                                                                                                                           |                                                    |                                                                  |
|--------|---------------------------------------------------------------------------------------------------------------------------------------------------------------------------------------------------------------------------------------------------------------------------------------------------------------------------------------------------------------------------------------------------------------------------------------------------------------------------------------------------------------------------------------------------------------------------------------------------------------------------|-------------------------------------------------------------------------------------------------------------------------------------------------------------------------------------------|----------------------------------------------------|------------------------------------------------------------------|
| EL     | Elektrische aansluiting                                                                                                                                                                                                                                                                                                                                                                                                                                                                                                                                                                                                   | 1. Standaardspanning (af fabriek)<br>Frequentie<br>Aansluitwaarde<br>Zekering<br>Aansluitkabel, draaddoorsnede, minimaal<br>Kabelwartel<br><br>De aansluitkabels worden niet bijgeleverd. | V<br>Hz<br>kW<br>A<br>mm <sup>2</sup>              | 3N AC 380 - 415<br>50<br>25,9 - 30,9<br>3 × 50<br>5 × 10<br>M 40 |
|        |                                                                                                                                                                                                                                                                                                                                                                                                                                                                                                                                                                                                                           | 2. Standaardspanning (af fabriek)<br>Frequentie<br>Aansluitwaarde<br>Zekering<br>Aansluitkabel, draaddoorsnede, minimaal<br>Kabelwartel<br><br>De aansluitkabels worden niet bijgeleverd. | V<br>Hz<br>kW<br>A<br>mm <sup>2</sup>              | 3 AC 220 - 240<br>50<br>26,0 - 30,7<br>3 × 80<br>4 × 25<br>M 50  |
|        |                                                                                                                                                                                                                                                                                                                                                                                                                                                                                                                                                                                                                           | Afwijkende spanningen:                                                                                                                                                                    |                                                    |                                                                  |
| OS 440 | Afwijkende spanning (af fabriek)<br>Frequentie<br>Aansluitwaarde<br>Zekering<br>Aansluitkabel, draaddoorsnede, minimaal<br>Kabelwartel<br><br>De aansluitkabels worden niet bijgeleverd.                                                                                                                                                                                                                                                                                                                                                                                                                                  | V<br>Hz<br>kW<br>A<br>mm <sup>2</sup>                                                                                                                                                     | 3 AC 440<br>60<br>28,3<br>3 × 50<br>4 × 10<br>M 40 |                                                                  |
|        | De elektrische aansluiting dient volgens de nationale en plaatselijke voorschriften te worden uitgevoerd.<br><br>Het is aan te bevelen het apparaat op een vergrendelbare contactdoos aan te sluiten (volgens NEN-EN-IEC 60309 en NEN-EN-IEC 60947) waarmee het apparaat met alle polen van de netspanning kan worden losgekoppeld, zodat de elektrische veiligheid eenvoudig kan worden gecontroleerd.<br><br>Bij een vaste aansluiting moet men alle polen via de installatie kunnen loskoppelen.<br><br>De contactdoos of de schakelaar moet ook na de plaatsing van het apparaat zichtbaar en goed toegankelijk zijn. |                                                                                                                                                                                           |                                                    |                                                                  |

|     |                           |                                                                                                                                                                                                                                                                                                                                                                                                                                                                                                                                                                                                                                                                                                                                                                                                                              |                                                                            |                                                    |
|-----|---------------------------|------------------------------------------------------------------------------------------------------------------------------------------------------------------------------------------------------------------------------------------------------------------------------------------------------------------------------------------------------------------------------------------------------------------------------------------------------------------------------------------------------------------------------------------------------------------------------------------------------------------------------------------------------------------------------------------------------------------------------------------------------------------------------------------------------------------------------|----------------------------------------------------------------------------|----------------------------------------------------|
| PA  | Aarding                   | <p>Aansluitstuk (buitenschroefdraad) met ringen en moer</p> <p>Toebehoren worden niet bijgeleverd (behalve bij de offshore-versie).</p> <p>De machine moet volgens de daarvoor geldende voorschriften worden geaard!</p>                                                                                                                                                                                                                                                                                                                                                                                                                                                                                                                                                                                                     | mm<br>M                                                                    | 10 × 35<br>10                                      |
| SLA | Piekbelastingschakelaar   | <p>Aansluitspanning contacten (besturing)<br/>Aansluitkabel, draaddoorsnede, minimaal</p> <p>De aansluitkabels worden niet bijgeleverd.</p> <p>Het is aan te bevelen de aansluiting met een flexibele aansluitleiding te realiseren, met een extra mogelijkheid tot loskoppelen. Het scheidingsstelsel (schakelaar) moet na de plaatsing van het apparaat zichtbaar en goed toegankelijk zijn.</p>                                                                                                                                                                                                                                                                                                                                                                                                                           | V<br>mm <sup>2</sup>                                                       | AC 230<br>5 × 1,5                                  |
| AL  | Luchtafvoer               | <p>Nominale volumestroom (max.) bij luchtafvoer (alleen PT 8507)<br/>Nominale volumestroom, max. (alleen PT 8503/8505)<br/>Drukverlies max. toegestaan</p> <p>Aansluituit machinekant (buitendiameter)<br/>Aansluitbuis ter plaatse (binnendiameter)<br/>Temperatuur max.</p> <p>Omdat de relatieve luchtvochtigheid in de afvoer tot 100% kan bedragen, moet met geschikte maatregelen worden voorkomen dat terugstromende condens in het apparaat terechtkomt.</p>                                                                                                                                                                                                                                                                                                                                                         | m <sup>3</sup> /uur<br><br>m <sup>3</sup> /uur<br>Pa<br><br>mm<br>mm<br>°C | 860<br><br>790<br>300<br><br>150<br>150<br>80      |
| ZL  | Luchttoevoer              | <p>Standaardaansluiting: Toevoer uit de ruimte waar de machine staat opgesteld<br/>Aanbevolen vrije diameter luchttoevoer in de ruimte (is 3x de diameter van de luchtafvoer van het apparaat)<br/>Er moet voldoende luchttoevoer zijn naar de ruimte waar het apparaat staat opgesteld om de afgevoerde luchthoeveelheid te compenseren.</p> <p>Alternatieve aansluiting: Aansluiting luchttoevoer rechtstreeks van buiten<br/>Aansluiting machinezijdig (binnendiameter)<br/>Aansluitbuis ter plaatse (buitendiameter)</p> <p>Bij het verwijderen van het beschermdeksel komen delen vrij die onder spanning staan. Om veiligheidsredenen moet op het centrale luchtaanzuigpunt van de droogautomaat (over een minimale lengte van 900 mm) een buis worden geïnstalleerd die met twee schroeven moet worden beveiligd.</p> | cm <sup>2</sup><br><br><br><br><br>mm<br>mm                                | 531<br><br><br><br><br>161<br>160                  |
| B   | Bevestiging (bijgeleverd) | <p>Zonder sokkel<br/>2 bevestigingsprofielen<br/>2 houtschroeven DIN 571 (Ø × lengte)<br/>2 pluggen (Ø × lengte)<br/>Het is aan te bevelen de machine te bevestigen.<br/>Bevestigingsmateriaal voor speciale vloeren (bijv. met geïsoleerde afdeklaag) wordt niet bijgeleverd.</p> <p>Op betonnen sokkel<br/>2 bevestigingsprofielen<br/>2 houtschroeven DIN 571 (Ø × lengte)<br/>2 pluggen (Ø × lengte)<br/>De machine moet beslist worden bevestigd!<br/>Bevestigingsmateriaal voor speciale vloeren (bijv. met geïsoleerde afdeklaag) wordt niet bijgeleverd.</p>                                                                                                                                                                                                                                                         | mm<br>mm<br><br><br><br>mm<br>mm                                           | 6 × 40<br>10 × 50<br><br><br><br>6 × 40<br>10 × 50 |

|                     |                                                                                                                                                                                                                                                                                                |        |       |
|---------------------|------------------------------------------------------------------------------------------------------------------------------------------------------------------------------------------------------------------------------------------------------------------------------------------------|--------|-------|
| Gegevens<br>machine | Breedte                                                                                                                                                                                                                                                                                        | mm     | 1.206 |
|                     | Diepte                                                                                                                                                                                                                                                                                         | mm     | 1.018 |
|                     | Hoogte                                                                                                                                                                                                                                                                                         | mm     | 1.640 |
|                     | Breedte behuizing                                                                                                                                                                                                                                                                              | mm     | 1.200 |
|                     | Diepte behuizing                                                                                                                                                                                                                                                                               | mm     | 913   |
|                     | Breedte transportopening min. (binnenwerks)                                                                                                                                                                                                                                                    | mm     | 1.030 |
|                     | Aanbevolen afstand tot de wand (tot voorkant apparaat)                                                                                                                                                                                                                                         | mm     | 1.600 |
|                     | Minimale afstand tot de wand (tot achterkant deksel)                                                                                                                                                                                                                                           | mm     | 500   |
|                     | Nettogewicht                                                                                                                                                                                                                                                                                   | kg     | 238   |
|                     | Vloerbelasting bij gebruik (max.)                                                                                                                                                                                                                                                              | N      | 2.703 |
|                     | Gemiddelde warmteafgifte aan de ruimte<br>(afhankelijk van omgevingstemperatuur en gekozen<br>programma)                                                                                                                                                                                       | W      | 810   |
|                     | A-gewogen geluidsvermogen                                                                                                                                                                                                                                                                      | dB (A) | 72,2  |
|                     | A-gewogen geluidsdruk, werkplekspecifiek<br>(afstand 1 m, hoogte 1,6 m)                                                                                                                                                                                                                        | dB (A) | 60    |
|                     | De installatiewerkzaamheden mogen alleen door een erkend installateur worden uitgevoerd met inachtneming van alle van toepassing zijnde voorschriften en normen!<br>Houdt u zich bij plaatsing van het apparaat beslist aan de montagehandleiding! Wijzigingen voorbehouden! Afmetingen in mm. |        |       |